



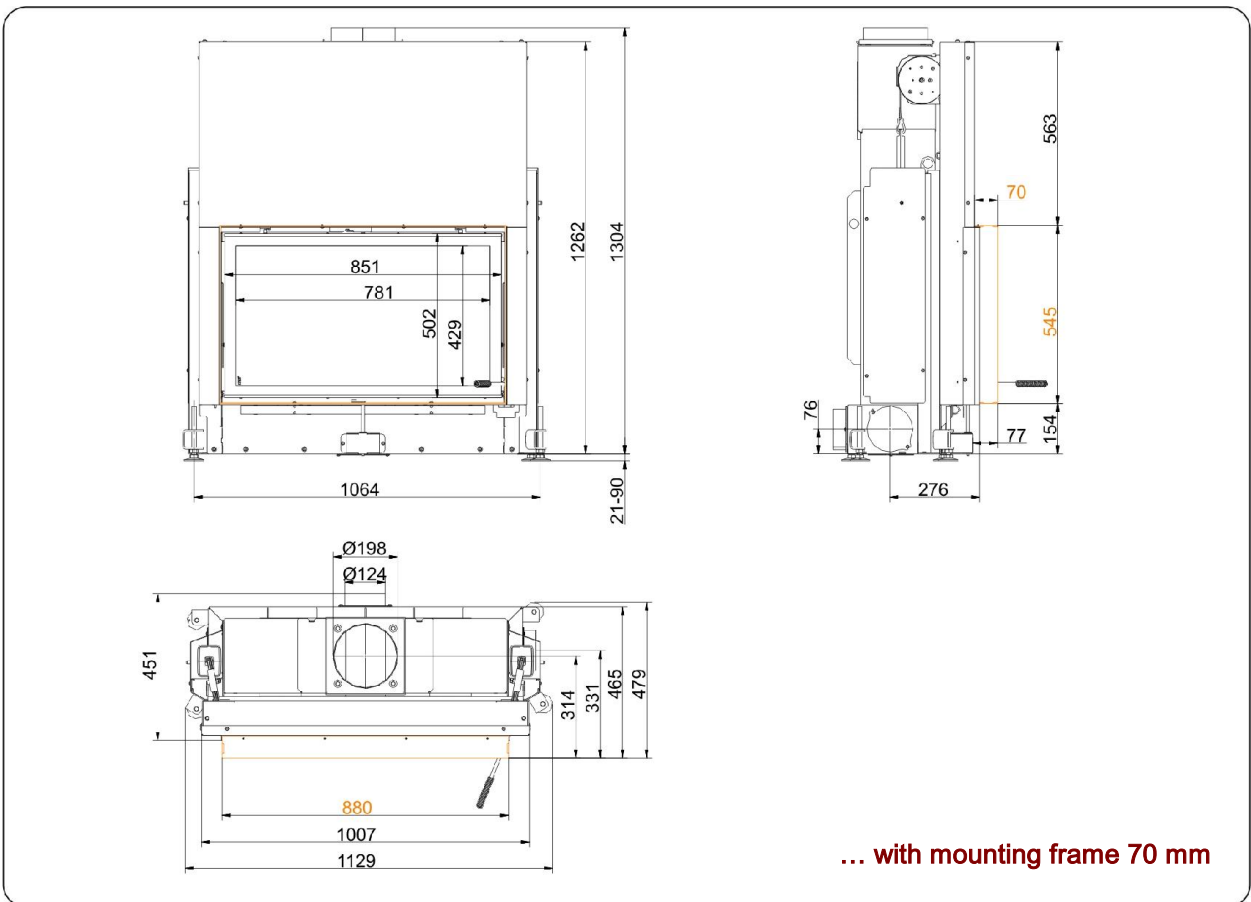
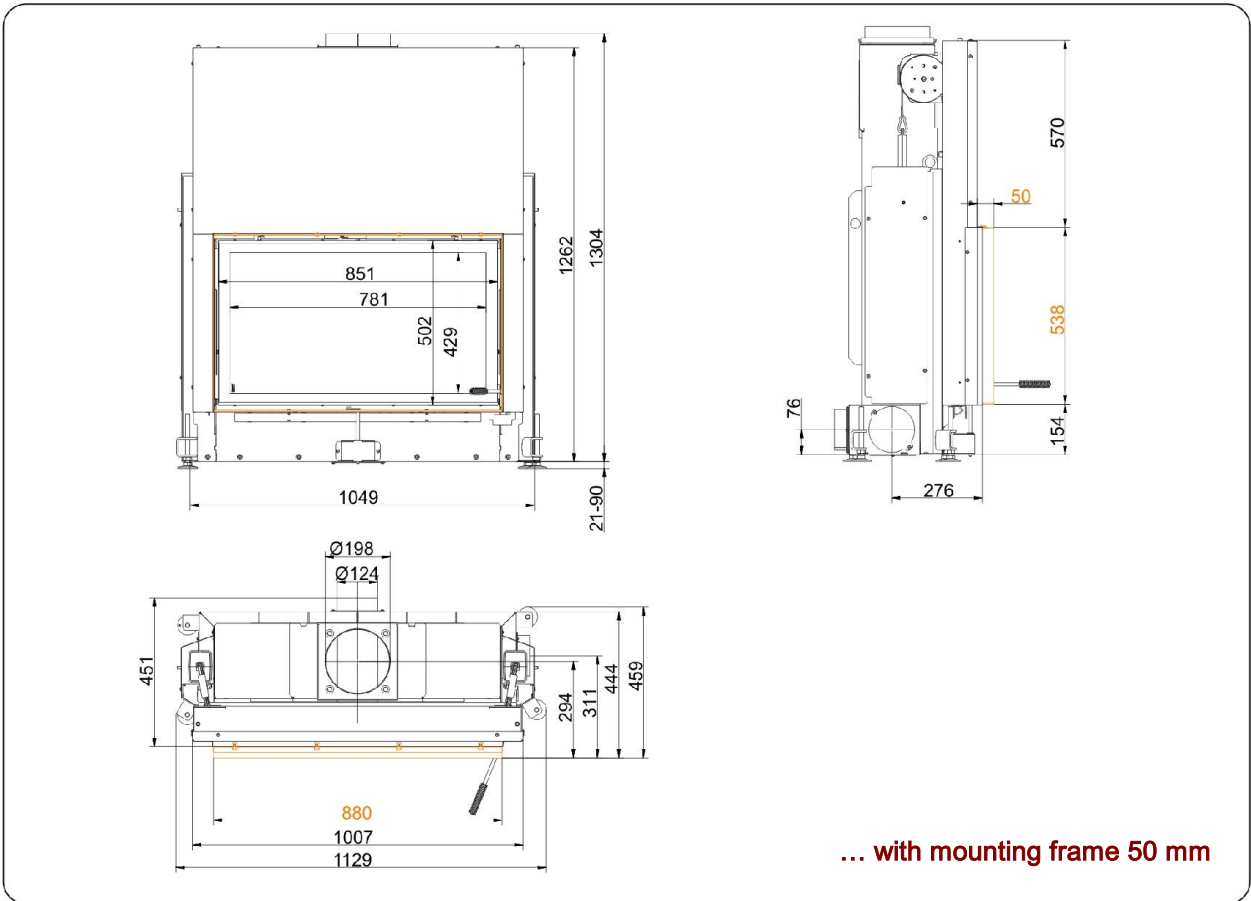
Stil-Kamin 53/88 k lifting doors (easy-lift)

State: 21.04.2015



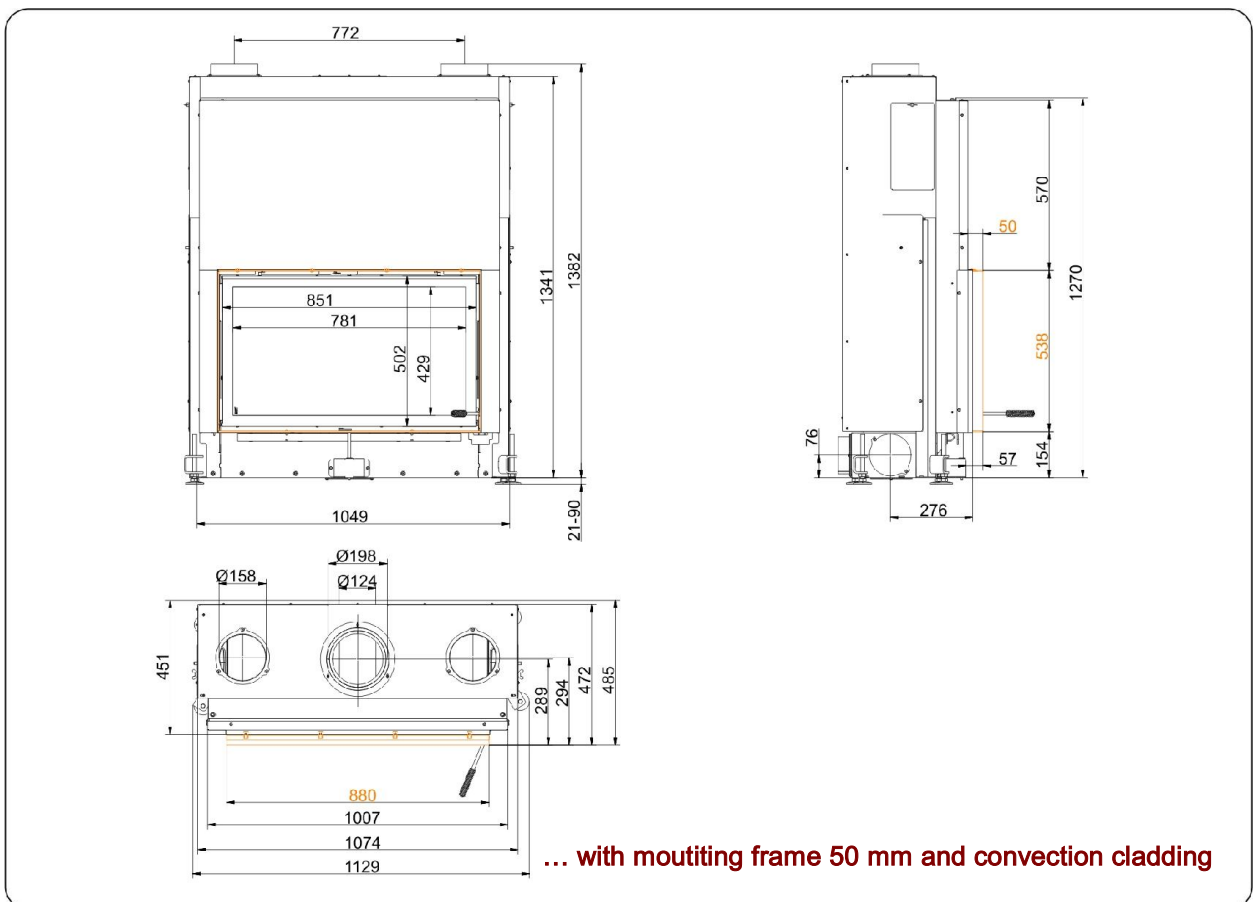
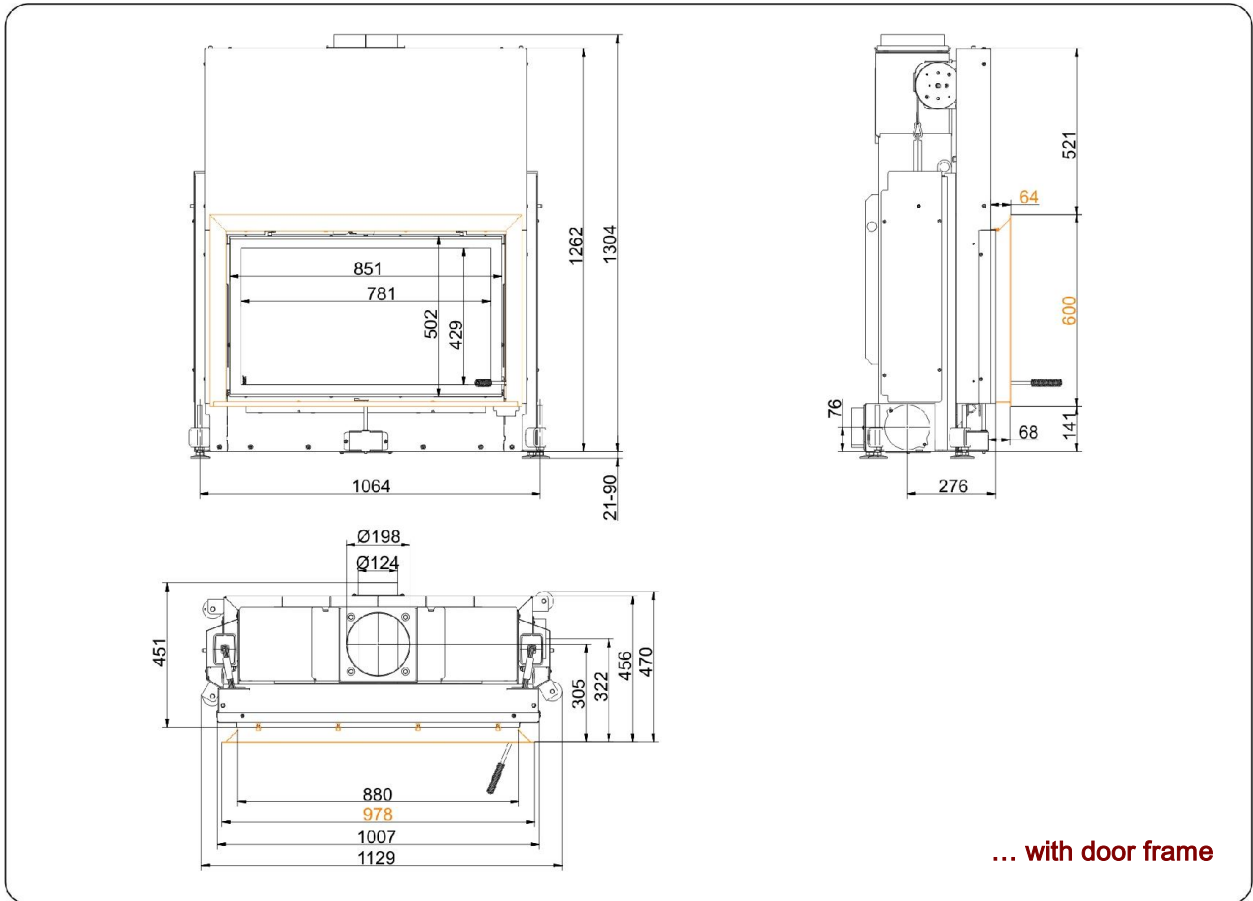
BRUNNER[®]
made in germany

Dimension sheet | **Stil-Kamin 53/88 k lifting doors (easy-lift)**



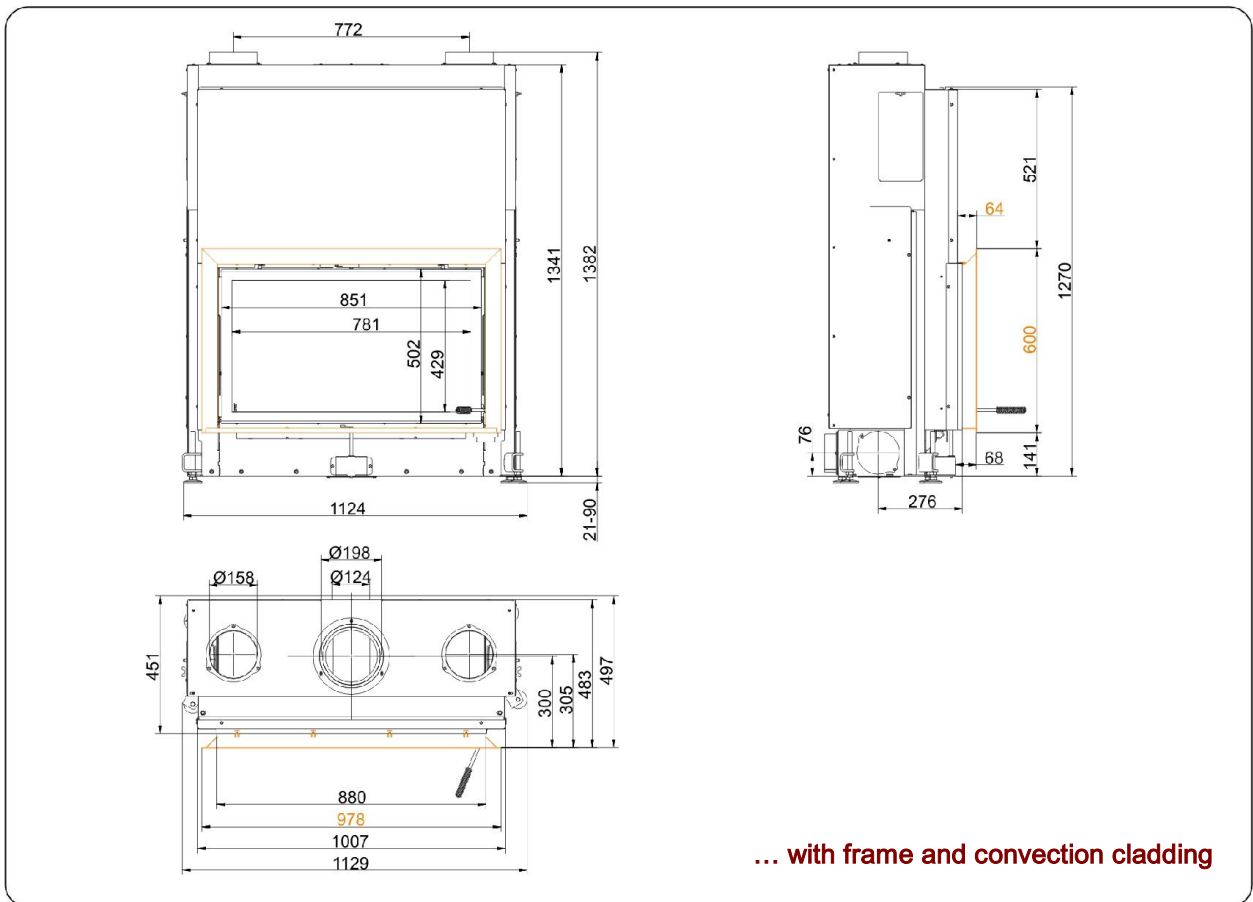
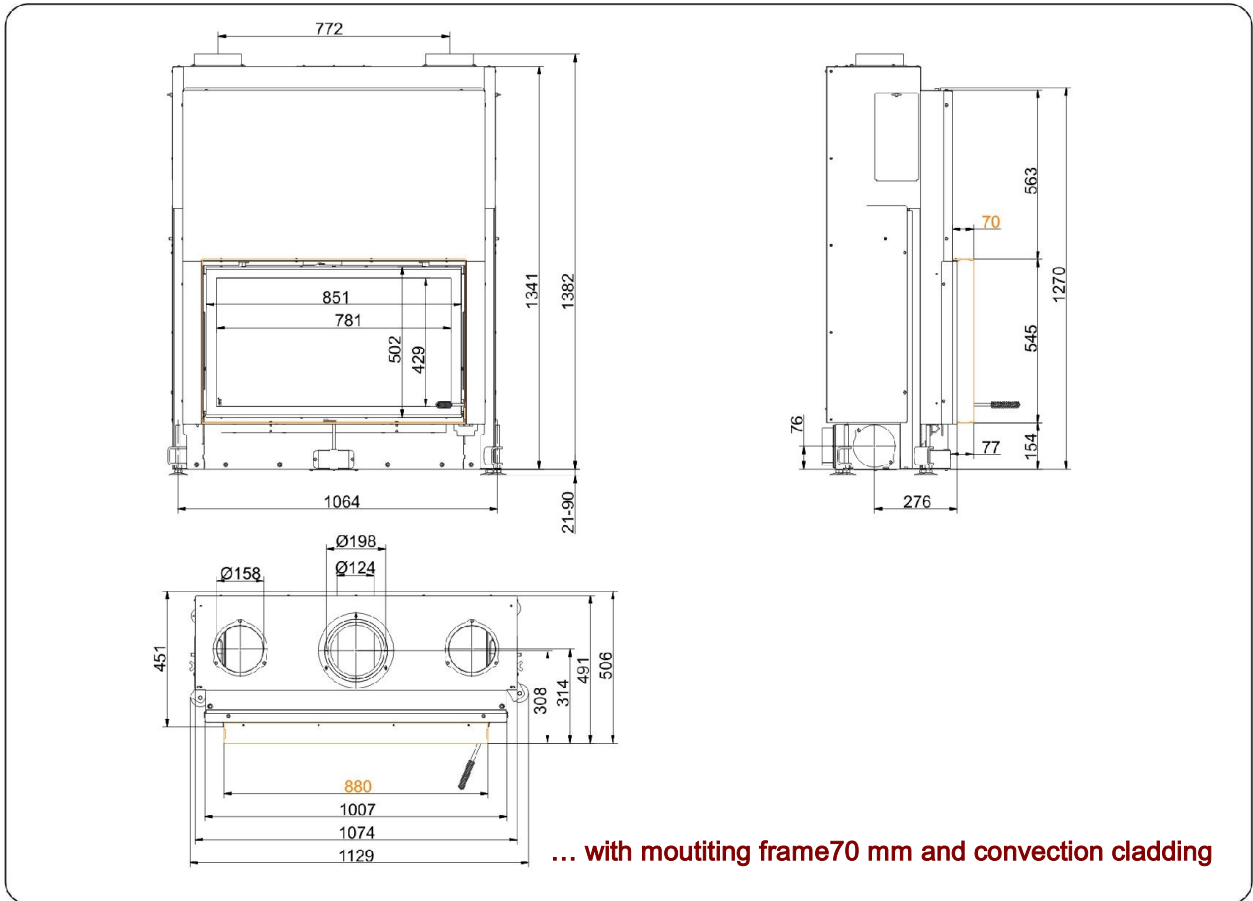
We suggest for CAD planing Palette CAD. Permanent updated drawings: www.brunner.de
 Frames / front versions are marked colored.

Dimension sheet | **Stil-Kamin 53/88 k lifting doors (easy-lift)**



We suggest for CAD planing Palette CAD. Permanent updated drawings: www.brunner.de
 Frames / front versions are marked colored.

Dimension sheet | **Stil-Kamin 53/88 k lifting doors (easy-lift)**



We suggest for CAD planing Palette CAD. Permanent updated drawings: www.brunner.de
 Frames / front versions are marked colored.

Planning and installation

Stil-Kamin 53/88 k

Tested according to	EN 13229 W	EN 13229 W
Values measured at	Nominal load	accumulation open door
Suitable for all construction types according to rules	OK	OK
Data for functional demonstration		
Rated heat power	kW 9	-
Firewood consumption	kg/h 2,9	2,9
Combustion performance	kW 11	13
Flue gas mass flow	g/s 12	70
Outlet temperature (before heating surface)	°C 325	-
Flue gas temperature after		
attached steel smoke hood	°C 230	120
1 x adjoining cast iron radiator (GNF10)	°C -	-
accumulation rings (MAS) ¹⁾	°C -	-
adjoining ceramic accumulator ²⁾	°C -	-
accumulation stones (MSS) ²⁾	°C -	-
water boiler	°C -	-
Necessary supply pressure	Pa 12	6
Combustion air consumption	m ³ /h 38	180
Combustion air connection Ø	mm 125	-
Heat distribution		
Insert / heating surface	% 60 / -	- / -
Glass (single / double)	% 40 / -	- / -
Boiler	% -	-
Cross-section of gratings		
Supply air	cm ² 700 / 100 / 0	-
Warm air	cm ² 700 / 100 / 0	-
Minimal oven surface for closed construction type		
Surface giving off heat	m ² -	-
Min. distances of fireplace without / with cladding		
to insulation layer	cm 8 / 3	8 / 3
to floor	cm -	-
Thermal insulation without / with ³⁾ air gratings		
Adjacent wall	cm 18 / 14	18 / 14
Adjacent wall; fireplace with cladding ⁴⁾	cm 6+3 / 3+3	6+3 / 3+3
Floor	cm 0	0
Ceiling	cm 22 / 16	22 / 16
Insulation of additional fire door DHT	cm -	-
Brick lining of protected walls	cm 10	10
Weight		
Fireplace + burning chamber	kg	215 + 120
meets requirement limit values for		
Germany / Austria / Switzerland / Norway	1.BImSchV (Stufe 2) / 15a BVG (2015) / LRV / NS 3059	

1) Throttle flap recommended

2) Approximate value, must be calculated eventually

3) Values with air gratings, stove casing is heat conducting

4) Execution thermal insulation according to installation manual

5) for firebox / flue gas pipe / metallic reheating surface

Ulrich Brunner GmbH

Zellhuber Ring 17 -18

D-84307 Eggenfelden

Telefon: +49 / (0)87 21 / 7 71-0

Telefax: +49 / (0)87 21 / 7 71-100

info@brunner.de | www.brunner.eu

