



- 

Stahlblechhaube
- 

Power-Stahlblechhaube
- 

keramische Züge
- 

Gusskuppel
- 

Wasser
- 

Modulaufsatzspeicher
- 

Elektronische Ofen-Steuerung
- 

Kesselmodul
- 

Aussenluft Anschluss
- 

Türanschlag rechts / links
- 

BImSchV
- 

Spiralgriff
- 

100% PRODUKT
- 

Stellhebel
- 

Durch Heiz Tür
- 

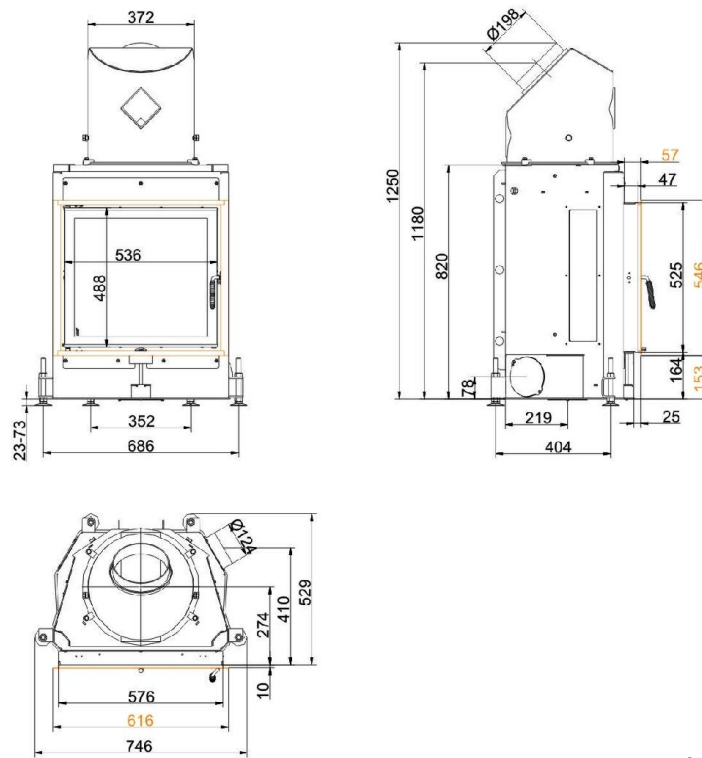
33cm Schnittlänge

Kompakt-Kamin 51/55 flach side opening doors

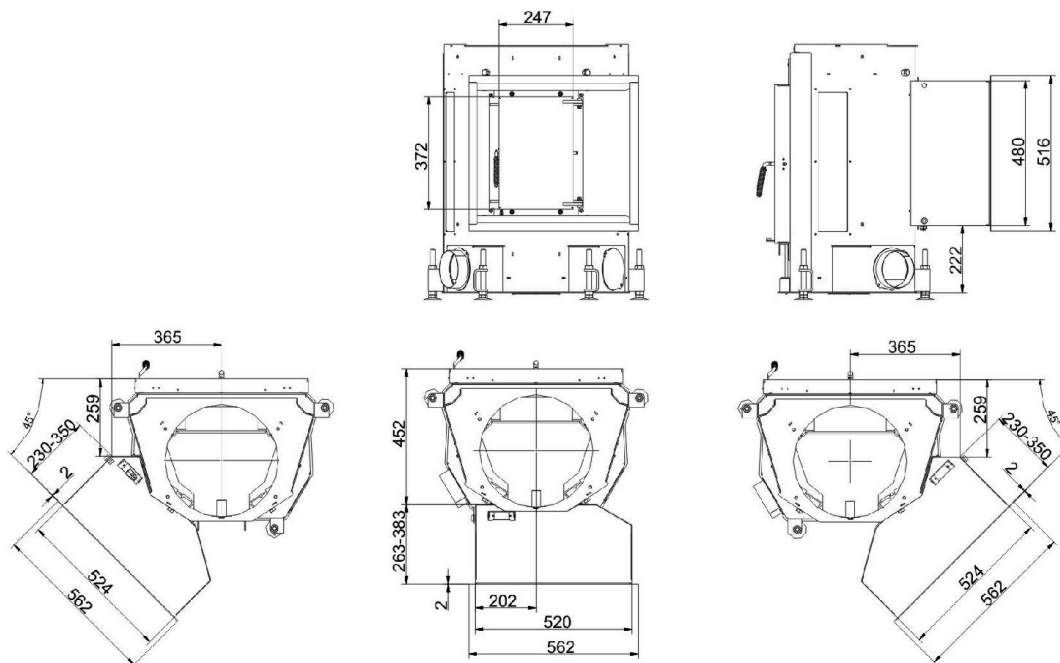
State: 13.02.2015

BRUNNER[®]
made in germany

Dimension sheet | **Kompakt-Kamin 51/55 flach side opening doors**



... with steel smoke hood



... with additional fire door

Planning and installation

Kompakt-Kamin 51/55 flach

Tested according to		EN 13229 W	EN 13229 WA	EN 13229 W
Values measured at		nominal load	accumulation	open door
Suitable for all construction types according to rules		OK	OK	OK
Data for functional demonstration				
Rated heat power	kW	8	-	-
Firewood consumption	kg/h	2,5	4	2,5
Combustion performance	kW	10	17	11
Flue gas mass flow	g/s	8,5	20	50
Outlet temperature (before heating surface)	°C	-	340	-
Flue gas temperature after				
attached steel smoke hood	°C	225	-	120
1 x adjoining cast iron radiator (GNF10)	°C	-	160	-
6 x accumulation rings (MAS) ¹⁾	°C	-	205	-
2 m adjoining ceramic accumulator ²⁾	°C	-	180	-
1,4 m accumulation stones (MSS)	°C	-	180	-
water boiler	°C	-	208	-
Necessary supply pressure	Pa	12	13	10
Combustion air consumption	m ³ /h	35	35	76
Combustion air connection Ø	mm	125	125	-
Heat distribution				
Insert / heating surface	%	30 / 30	30 / 30	- / -
Glass (single / double)	%	40 / -	40 / -	- / -
Boiler	%	-	-	-
Vent cross-section ⁴⁾				
Supply air	cm ²	400 / 100 / -	300 / 100 / 300	-
Warm air	cm ²	400 / 100 / -	300 / 100 / 300	-
Minimal oven surface for closed construction type				
Surface giving off heat	m ²	3,8	3,8	-
Space inside oven chamber				
Distance to oven chamber wall	cm	8	8	8
Distance to floor	cm	-	-	-
Heat insulation without / with ³⁾ air gratings				
Wall	cm	12 / 9	14 / 10	12 / 9
Floor	cm	4 / 2	4 / 2	4 / 2
Ceiling	cm	14 / 10	20 / 14	14 / 10
Insulation of additional fire door DHT	cm	6	6	6
Brick lining of protected walls	cm	10	10	10
Weight				
Fireplace + burning chamber	kg		128 + 65	
meets requirement limit values for				
Germany / Austria / Switzerland / Norway		1.BImSchV (Stufe 2) / 15a BVG (2015) / LRV / NS 3059		

1) Throttle flap recommended

2) Approximate value, must be calculated eventually

3) Values with air gratings, stove casing is heat conducting

4) for firebox / flue gas pipe / metallic reheating surface

Ulrich Brunner GmbH
 Zellhuber Ring 17 -18
 D-84307 Eggenfelden
 Phone: +49 / (0)87 21 / 7 71-0
 Fax: +49 / (0)87 21 / 7 71-100
 info@brunner.eu | www.brunner.eu



BRUNNER products are offered and sold only by qualified dealers and service centres.
 Subject to technical and assortment changes. Errors excepted. (02/15)